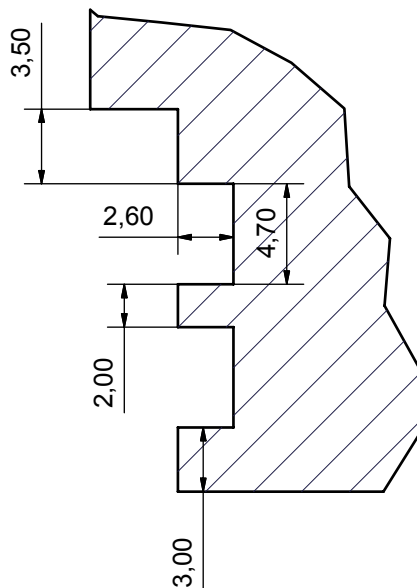


O-ring: 85,32 x 3,53 mm



Designed by Robert Staven	Checked by	Approved by - date	Date 12.07.2008
www.staven.no		Lokk 100mm 36,9	
		lok_100_36.9	Edition 1.0
		Sheet 1 / 1	